



BROUWER

ILLUSTRATED PARTS LIST

MODEL:

ROLLMATE SOD LAYER 30" ROM2430
SERIAL NO. 169 & UP

ROLLMATE SOD LAYER 42" ROM2442
SERIAL NO. 101 & UP

ROLLMATE SOD LAYER 48" ROM2448
SERIAL NO. 179 & UP



WARNING: If incorrectly used this machine can cause severe injury. Those who use and maintain this machine should be trained in its proper use, warned of its dangers and should read the entire manual before attempting to set up, operate, adjust or service the machine.

KESMAC INC.
DBA BROUWER KESMAC
23324 Woodbine Ave.
Keswick, ON L4P 0N1
Phone: (905) 476-6222
Fax: (905) 476-6744
Website: www.brouwerkesmac.com



STATEMENT OF LIMITED WARRANTY

Brouwer Kesmac warrants its full line of equipment to be free from defects in material and factory workmanship for a period of 12 months. This warranty begins on the date of sale or use of the equipment to the original purchaser. This statement does not extend or limit engine, tractor or component warranties in which the engine, tractor or component manufacturers may carry extended time periods up to 24 months. Engine, tractor or component warranty claims will be subject to the engine, tractor or components manufacturer's approval.

Replacement Parts carry a 90 day replacement warranty and are reimbursed to the dealer. All electrical and hydraulic parts are limited by this policy and will only be covered upon approval by the service department after inspection of the part. The installation and removal of a part will automatically place that part under the replacement parts warranty.

This warranty is limited exclusively to equipment or accessories manufactured or supplied by **Brouwer Kesmac** and are subject to the inspection and analysis by the company to conclusively identify the nature and cause of failure.

PRODUCT REGISTRATION FORM must be completely filled out, signed by the customer at the original date of installation, and returned to **Brouwer Kesmac** before any claims will be considered.

Brouwer Kesmac reserves the right to incorporate improvements in material and design of its products without notice and is not obligated to make the same improvements to equipment previously manufactured.

Brouwer Kesmac is not obliged under any warranty policy different from the Kesmac Brouwer Turf warranty policy as published above.

BROUWER KESMAC RESPONSIBILITIES

Brouwer Kesmac's obligation under the terms of this warranty is limited to the repair, replacement or credit, at its option, of the equipment, parts or supply items that conform to its warranty.

DEALER'S RESPONSIBILITIES

1. Only factory-trained service or approved personnel will be permitted to perform warranty service on **Brouwer Kesmac** equipment.
2. All major warranty claims exceeding \$650.00 (in total including parts and labour) must be authorized by **Brouwer Kesmac** before work is performed.
3. All replacement parts used in warranty situations must be furnished by **Brouwer Kesmac** or approved by **Brouwer Kesmac** personnel. The use of non-recommended oil could nullify warranty.

OWNERS RESPONSIBILITIES

The owner is obligated to operate and maintain the equipment in accordance with the recommendations published by **Brouwer Kesmac** in the owners/operators manual for the unit. The owner is responsible for the costs associated with such maintenance and operating adjustments that may be required on a regularly scheduled basis. Where applicable the owner is responsible for transportation to and from the dealership or service calls made by the dealer.

CONDITIONS THAT VOID WARRANTY

This warranty shall not apply to equipment which:

- 1. Has had repairs or modifications not authorized by **Brouwer Kesmac**
- 2. Has been subject to abuse, improper maintenance, or improper application.
- 3. Has been modified from original equipment specifications.

WARRANTY EXCEPTIONS

This warranty does not apply to the following items:

- 1. Wear items including blades, cutting edges, cutting arms, spark plugs, belts, filters, bearings, sprockets, chains, tires, light bulbs, lubricants and fluids etc. Cost of normal maintenance including replacement of service items.
- 2. Damages to engine/drive systems caused by lack of/or improper lubricants and/or fluids.
- 3. Damages arising from accident, misuse or neglect.
- 4. Damages to engine/drive systems caused by improper operation and/or maintenance.
- 5. **Brouwer Kesmac** will not be liable for any incidental or consequential damage or injuries, including but not limited to loss of profits, loss of crops, rental of substitute equipment, or other commercial loss or for damage to the equipment in which the Company Product is installed.

FREIGHT CARRIER DAMAGE

Claims for equipment damaged in transit should be referred to the freight carrier. Visible damage should be reported immediately and concealed damage as soon as possible, in accordance with freight carrier regulations.

ROLLMATE SOD LAYER

IMPORTANT

Your new **ROLLMATE SOD LAYER** has been designed and built to give many years of outstanding performance.

The service and reliability you receive from this product will be affected by the proper maintenance and operation of the machine.

It is important the operator of the machine follows all recommended operating procedures and service schedules, to ensure the safety of the machine, themselves and any bystanders.

It is not possible to list all situations that may effect the safety of the machine or the operators, therefore Brouwer cannot identify all precautions that may possibly prevent accidents.

The owner/operator must assume responsibility for their won safety, the safety of others and of the machine.

BE A QUALIFIED OPERATOR BY:

- Reading and obeying the instructions in this manual and on the safety decals on the machine.
- Receiving training on the correct operation of the machine.
- Asking your supervisor or equipment dealer to explain anything you do not understand.
- Explaining the instructions in the operator's manual and safety decals to user/operators who cannot read or understand them.

IF YOU DO NOT UNDERSTAND...ASK

Use only genuine Brouwer replacement parts. Parts not supplied by Brouwer may not meet factory specifications or standards of manufacture. The use of non-approved parts may result in component failure and result in an accident to the operator or bystanders.

The Brouwer **ROLLMATE SOD LAYER** must not be used for any purpose other than that for which it was designed.

Prior to shipping from the manufacturer the machines are inspected to insure that all safety guards, shields and warning/safety/operating decals are correctly positioned and secure.

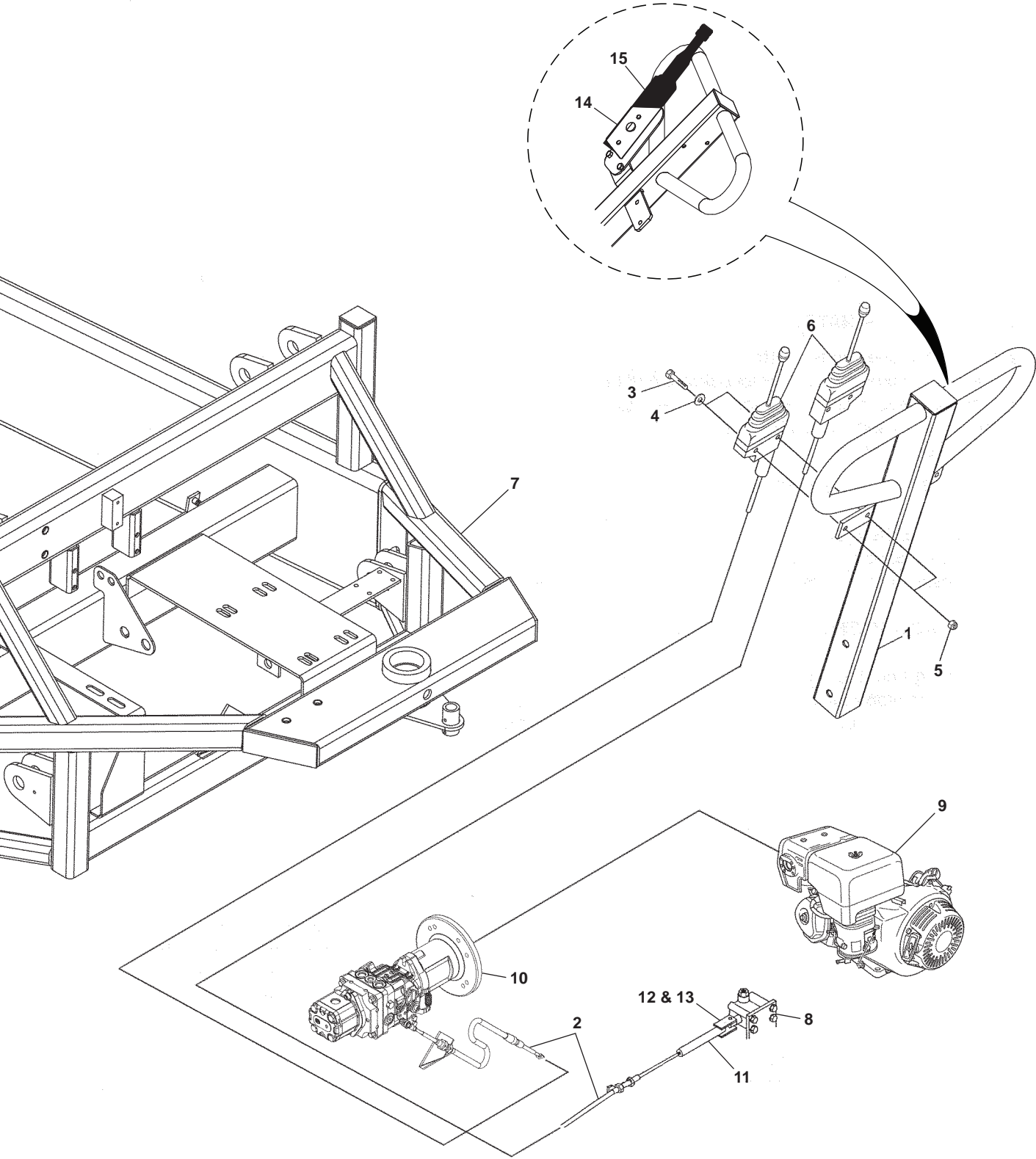
The machine must not be used if any of the above items are missing or damaged.

TABLE OF CONTENTS	FIGURES	PAGE
CONTROLS	FIGURE 1	2,3
ENGINE & PUMP ASSEMBLY	FIGURE 2	4,5
FRONT WHEEL ASSEMBLY	FIGURE 3	6,7
REAR WHEEL ASSEMBLY	FIGURE 4	8,9
LIFT FRAME	FIGURE 5	10,11
ENGINE/PUMP/TANK MOUNTING	FIGURE 6	12,13
HYDRAULIC ASSEMBLY	FIGURE 7	14,15
DECALS	FIGURE 8	16,17
ELECTRICAL SYSTEM	FIGURE 9	18,19

CONTROLS

**ROLLMATE
SOD LAYER**

FIGURE 1



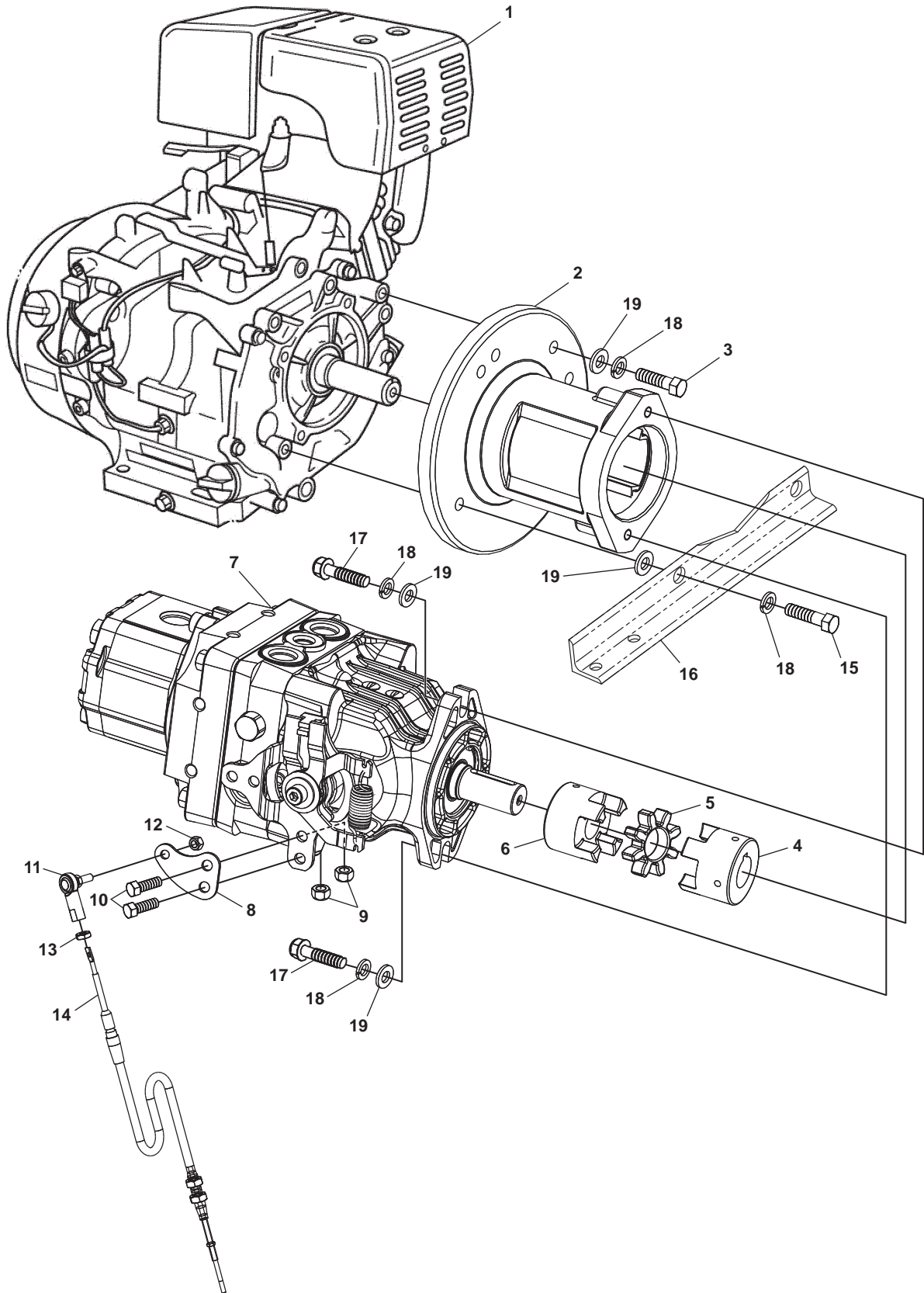
ROLLMATE SOD LAYER

CONTROLS

FIGURE 1

ITEM	PART NO.	DESCRIPTION	QTY	ITEM	PART NO.	DESCRIPTION	QTY
1-1	4160894	HANDLE WELD ASSY	1				
1-2	KD10061	CONTROL CABLE	2				
1-3	F010522	BOLT 5/16 UNC X 2 1/2 GR.8	4				
1-4	F320500	FLATWASHER 5/16	4				
1-5	F210500	LOCKNUT 5/16 UNC	4				
1-6	KD10027	CONTROL HANDLE ASSY.	2				
1-7	4160895	FRAME-MAIN - RM 2430	1				
	4160834	FRAME-MAIN - RM 2442	1				
	4160927	FRAME-MAIN - RM 2448	1				
1-8	23-137	LIFT VALVE	1				
1-9	KD40043	HONDA GX270 - RM 2430	1				
		NON-CURRENT					
	KD40047	GX340 - RM 2430, 2442 & 2448	1				
1-10		PUMP ASSEMBLY (PG. 4)	1				
1-11	4160923	YOKE	1				
1-12	03-0310	CLEVIS PIN 3/16 X 1 1/4	1				
1-13	64140-3	COTTER PIN 3/32 X 3/4	1				
1-14	4161109	BRAKE LEVER MOUNT	1				
1-15	KD10063	BRAKE LEVER	1				

FIGURE 2



ROLLMATE SOD LAYER

ENGINE & PUMP ASSEMBLY

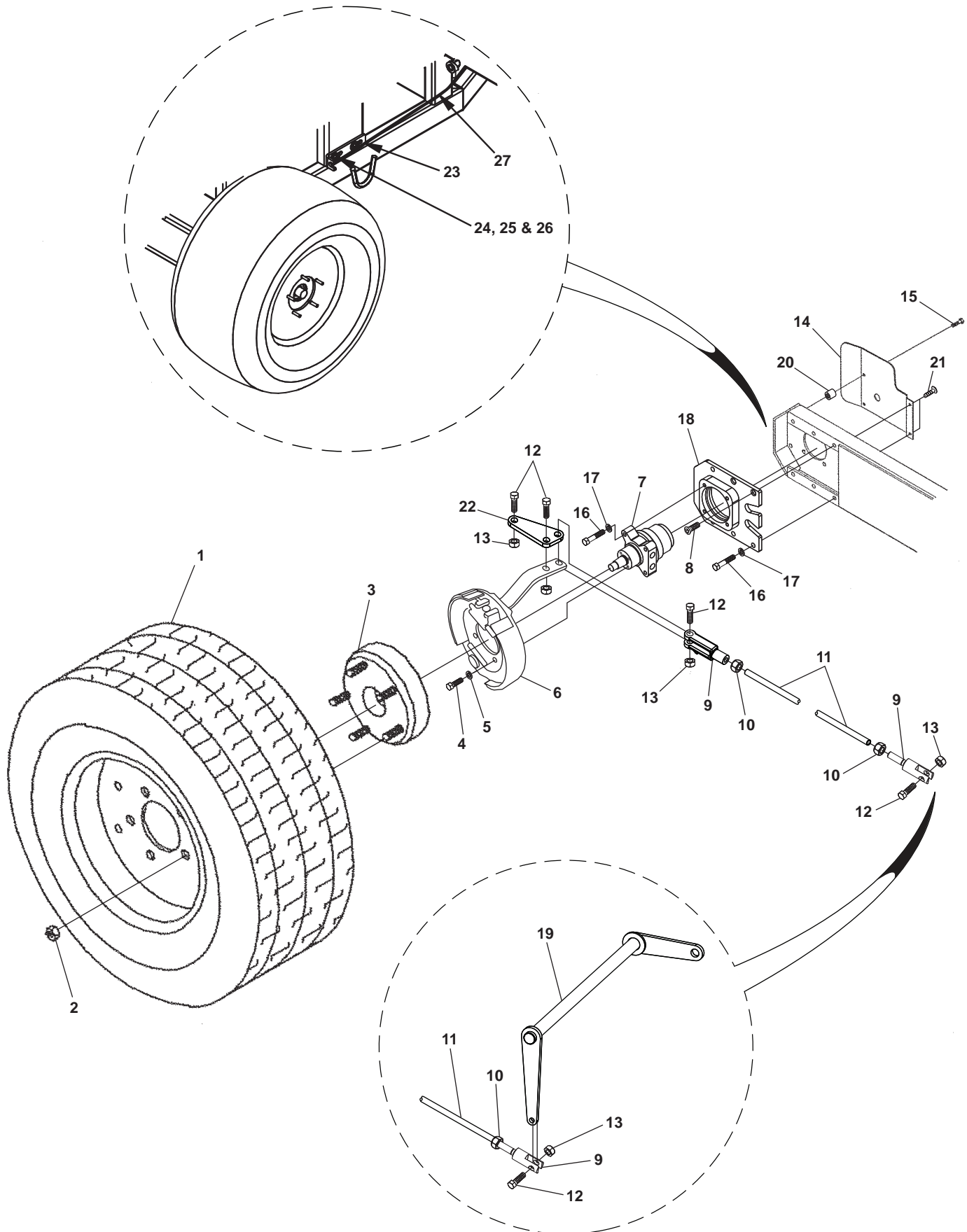
FIGURE 2

ITEM	PART NO.	DESCRIPTION	QTY	ITEM	PART NO.	DESCRIPTION	QTY
2-1	KD40047	GX340 - RM 2430, 2442 & 2448 - CURRENT	1				
	KD40043	HONDA GX270 - RM 2430 NON CURRENT	1				
2-2	KD85117	PUMP MOUNT	1				
2-3	F040612	BOLT 3/8 x 1 1/4 UNC GR.8	2				
2-4	KD85115	1.00 COUPLING	1				
2-5	KD85114	SPIDER	1				
2-6	KD85116	7/8 COUPLING	1				
2-7	KH30045	GEAR & AUX. PUMP	1				
2-8	4161053	PUMP CONTROL LINK	1				
2-9	F210500	LOCKNUT 5/16 UNC	2				
2-10	F040506	BOLT 5/16 UNC x 3/4 GR.8	2				
2-11	KB03004	FEMALE ROD END	1				
2-12	F210400	LOCKNUT 1/4-20 UNC	1				
2-13	F220450	JAMNUT 1/4 UNF	1				
2-14	KD10061	CONTROL CABLE	1				
2-15	F040614	BOLT 3/8 UNC x 1 1/2 GR.8	2				
2-16	4160921	FILTER MOUNT BRKT.	1				
2-17	F560612	BOLT 3/8 x 1 1/4 FERRY CAP	2				
2-18	F310608	LOCKWASHER 3/8	6				
2-19	F320608	FLATWASHER 3/8 USS GR.8	6				

FRONT WHEEL ASSEMBLY

ROLLMATE SOD LAYER

FIGURE 3



ROLLMATE SOD LAYER

FRONT WHEEL ASSEMBLY

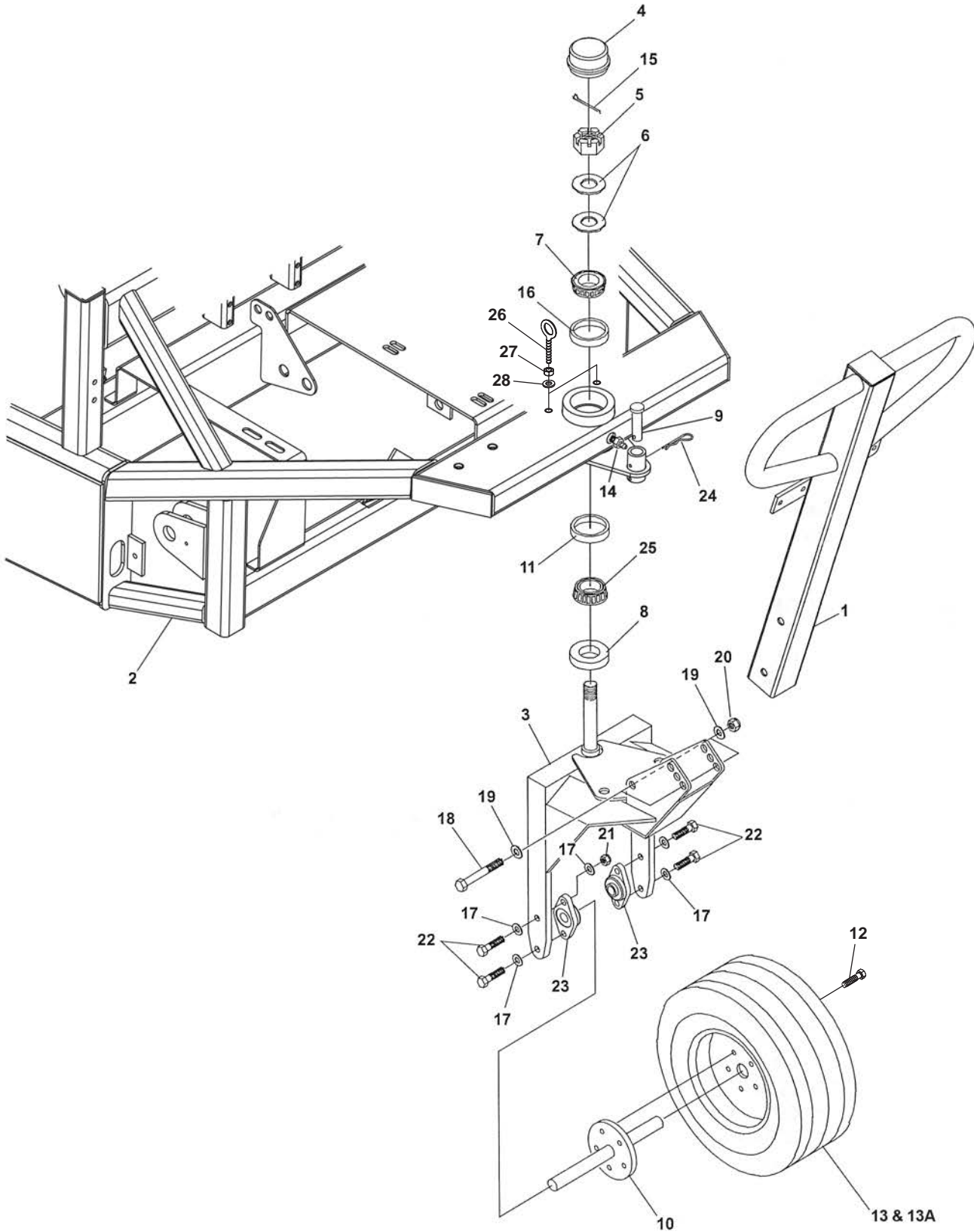
FIGURE 3

ITEM	PART NO.	DESCRIPTION	QTY	ITEM	PART NO.	DESCRIPTION	QTY
3-1	4160922	TIRE 24 x 12.00-12	2	3-22	4161364	BRAKE ARM EXT.	2
	53-174	RIM 12 x 9.5	2	3-23	4161121	BRAKE CABLE ANCHOR	2
	53-173	TIRE & RIM ASSEMBLY	2	3-24	F320608	WASHER 3/8 GR.8	4
3-2	F260800	WHEEL NUT 1/2	10	3-25	F210608	NUT 3/8 UNC NYLOC GR.8	4
3-3	KH30050	BRAKE DRUM ASSEMBLY	2	3-26	F020610	BOLT 3/8 UNC x 1 CARRIAGE	4
		OSOLETE		3-27	KD10062	BRAKE CABLE ASSEMBLY	2
3-4	F040506	BOLT 5/16 UNC x 3/4 GR.8	8			2430	
		NON CURRENT			KD10064	BRAKE CABLE ASSEMBLY	2
3-5	F310508	LOCKWASHER 5/16 UNC GR.8	8			2442 & 2448	
		NON CURRENT					
3-6	KH30049	BRAKE - L.H. - OSOLETE	1				
	KH30048	BRAKE - R.H. - OSOLETE	1				
3-7	KH30078	WHEEL MOTOR - L.H.	1				
	KH30047	WHEEL MOTOR - L.H. - N/C	1				
	KH30079	WHEEL MOTOR - R.H.	1				
	KH30046	WHEEL MOTOR - R.H. - N/C	1				
3-8	F120814	FL.HD.SC. 1/2 NC x 1 1/2 LG	4				
		NON CURRENT					
3-9	4160904	YOKE END - NON CURRENT	4				
3-10	F230558	NUT 5/16 UNF	4				
		NON CURRENT					
3-11	4160905	BRAKE ROD	2				
		NON CURRENT					
3-12	F040510	BOLT 5/16 UNC x 1 GR.8	6				
3-13	F210558	LOCKNUT 5/16-24 NF ZP GR.8	6				
3-14	4160715	SPINDLE GUIDE - L.H.	1				
	4160716	SPINDLE GUIDE - R.H.	1				
3-15	F590512	SCREW 5/16 NC x 1 1/4 LG	4				
3-16	F040820	BOLT 1/2 UNC x 2 GR.8	8				
3-17	F310808	LOCKWASHER 1/2 GR.8	8				
3-18	4160851	WHEEL MOTOR MT. - L.H.	1				
		NON CURRENT					
	4160852	WHEEL MOTOR MT. - R.H.	1				
		NON CURRENT					
3-19	4160900	BRAKE ROCKER SHAFT	1				
		L.H. - 2430 & 2442					
		NON CURRENT					
	4160936	BRAKE ROCKER SHAFT	1				
		L.H. - 2448 - NON CURRENT					
	4160901	BRAKE ROCKER SHAFT	1				
		R.H. - 2430 - NON CURRENT					
	4160879	BRAKE ROCKER SHAFT	1				
		R.H. - 2442 - NON CURRENT					
	4160937	BRAKE ROCKER SHAFT	1				
		R.H. - 2448 - NON CURRENT					
3-20	4160828	SPACER	4				
3-21	F590510	SCREW 5/16 NC x 1 LG	4				

REAR WHEEL ASSEMBLY

ROLLMATE SOD LAYER

FIGURE 4



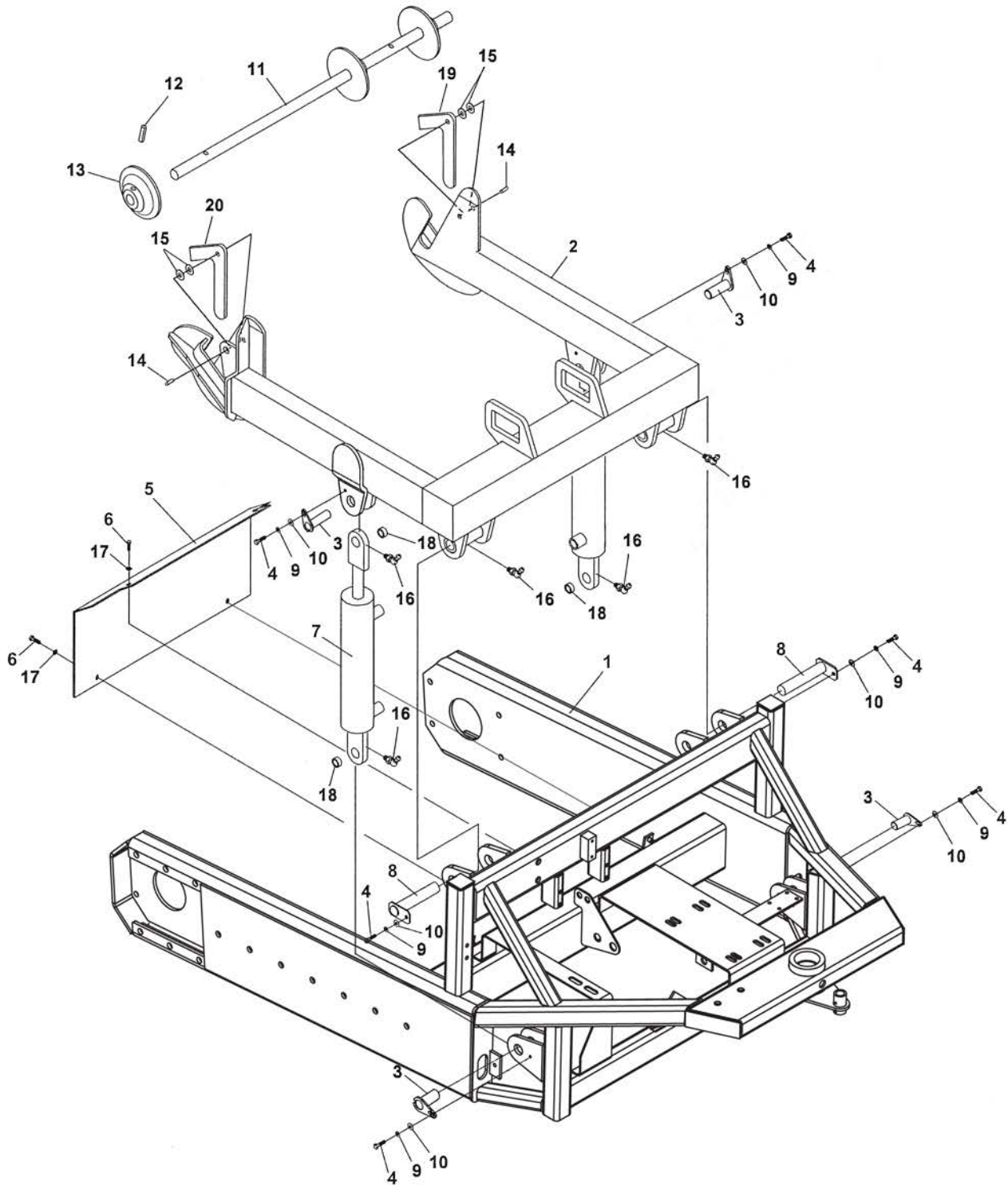
ROLLMATE SOD LAYER

REAR WHEEL ASSEMBLY

FIGURE 4

ITEM	PART NO.	DESCRIPTION	QTY	ITEM	PART NO.	DESCRIPTION	QTY
4-1	4160894	HANDLE	1				
4-2	4160895	FRAME-MAIN - RM 2430	1				
	4160834	FRAME-MAIN - RM 2442	1				
	4160927	FRAME-MAIN - RM 2448	1				
4-3	4160841	STEERING YOKE	1				
4-4	KX20038	HUB CAP	1				
4-5	KX20032	CASTLE NUT, 1-14	1				
4-6	KX20031	WASHER	2				
4-7	KB23021	BEARING CONE	1				
4-8	KB90015	SEAL	1				
4-9	KX01230	PIN	1				
4-10	4160340	REAR AXLE	1				
4-11	KB23914	BEARING CUP	1				
4-12	F060117	WHEEL BOLT 1/2	5				
4-13	MW50004	WHEEL ASSY-W/18X9.50X8	1				
4-13A	MW52003	TIRE W/18X9.50X8	1				
4-14	29-053	GREASE FITTING-14	1				
4-15	KX20033	COTTER PIN, 1/8 X 1-1/2	1				
4-16	MW10010	BEARING CUP	1				
4-17	F321000	FLATWASHER 5/8	8				
4-18	F010840	BOLT 1/2 UNC X 4 GR.8	2				
4-19	F320800	FLATWASHER 1/2	4				
4-20	F210800	LOCKNUT 1/2 UNC	2				
4-21	F211000	LOCKOUT 5-8 UNC	4				
4-22	F011022	BOLT 5/8 UNC X 2 1/4	4				
4-23	KB32020	FLANGED BEARING 1 1/4	2				
4-24	F940224	HITCH PIN CLIP	2				
4-25	KB23013	BEARING CONE 1.375 IN.	1				
4-26	F050424	EYEBOLT 5/16 NC X 2 1/4	2				
4-27	F320500	NUT 5/16 NC	2				
4-28	F330500	FLATWASHER 5/16	2				

FIGURE 5



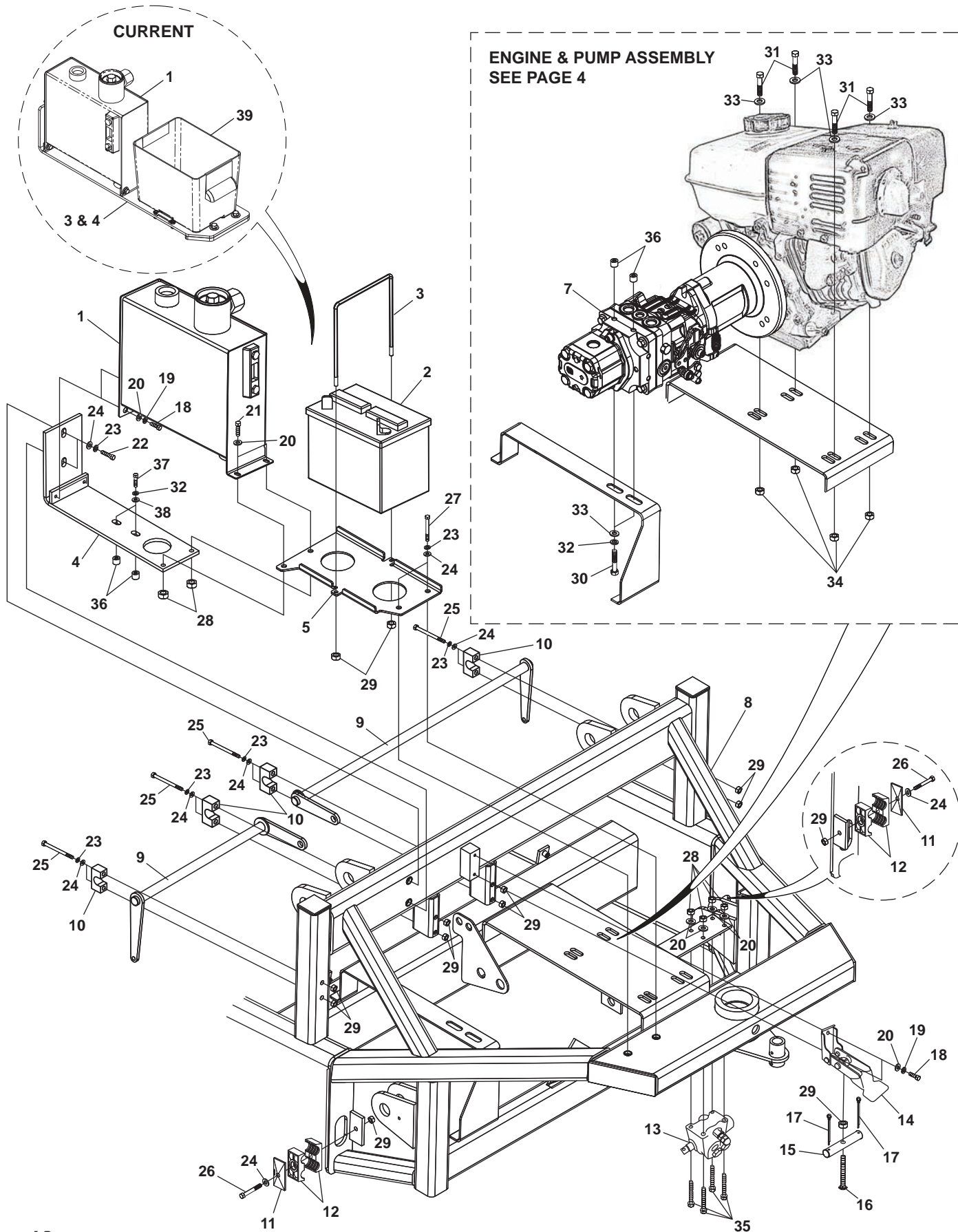
ROLLMATE SOD LAYER

LIFT FRAME

FIGURE 5

ITEM	PART NO.	DESCRIPTION	QTY	ITEM	PART NO.	DESCRIPTION	QTY
5-1	4160895	FRAME-MAIN - RM 2430	1				
	4160834	FRAME-MAIN - RM 2442	1				
	4160927	FRAME-MAIN - RM 2448	1				
5-2	4160286	LIFT FRAME - RM 2430	1				
	4160849	LIFT FRAME - RM 2442	1				
	4160932	LIFT FRAME - RM 2448	1				
5-3	4160739	PIN-LIFT ARM CYLINDER	4				
5-4	F010404	BOLT 1/4 UNC X 1/2 GR.8	4				
5-5	6102133	SHIELD-FRONT - RM 2430	1				
	4160865	SHIELD-FRONT - RM 2442	1				
	4160934	SHIELD-FRONT - RM 2448	1				
5-6	F010406	BOLT 1/4 UNC X 3/4 GR.8	6				
5-7	23-070	CYLINDER, HYD. 2 X 8	2				
5-8	6102151	PIN-LIFT ARM PIVOT	2				
5-9	F310400	LOCKWASHER 1/4	6				
5-10	F320400	FLATWASHER 1/4	6				
5-11	4160304	MANDREL SHAFT - RM 2430	1				
	4160867	MANDREL SHAFT - RM 2442	1				
	4160935	MANDREL SHAFT - RM 2448	1				
5-12	F940620	SPRING PIN 3/8 DIA. X 2	3				
		RM 2442 & RM 2448	2				
5-13	4160305	GUIDE FLANGE - SHAFT	3				
		RM 2442 & RM 2448	2				
5-14	F940816	SPRING PIN 1/2 X 1 3/4 LG	2				
5-15	F320600	FLATWASHER 3/8	4				
5-16	29-045	GREASE FITTING	6				
5-17	F320400	FLATWASHER 1/4	4				
5-18	KB11016	SPHERICAL BALL BUSHING	4				
5-19	4160300	LATCH - R.H.	1				
5-20	4160299	LATCH - L.H.	1				

FIGURE 6



ROLLMATE SOD LAYER

ENGINE/PUMP/TANK MOUNTING

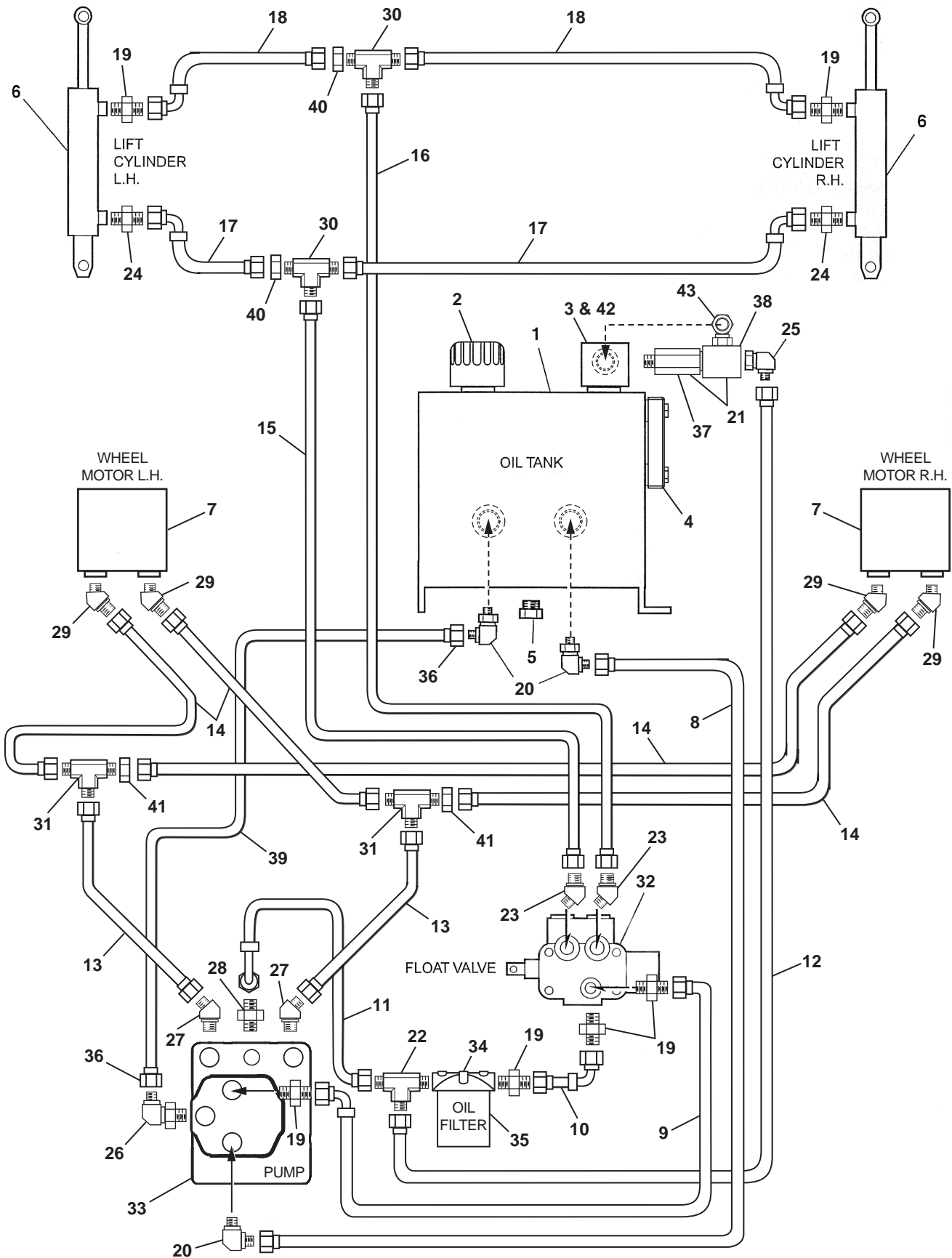
FIGURE 6

ITEM	PART NO.	DESCRIPTION	QTY	ITEM	PART NO.	DESCRIPTION	QTY
6-1	4161092	HYDRAULIC TANK - CURRENT	1	6-33	F320608	3/8 FLATWASHER USS	6
	4160380	HYDRAULIC TANK - N/C	1	6-34	F210608	LOCKNUT 3/8 UNC GR.8	4
6-2	KE10218	BATTERY	1	6-35	F040430	BOLT 1/4 UNC X 3 GR.8	4
6-3	4161090	HYDRAULIC TANK, BATTERY	1	6-36	F161086	SPACER - NON CURRENT	2
		BOX MOUNT W/A - CURRENT		6-37	F080612	BOLT 3/8 UNC X 1 1/4 GR.8	2
	4160694	BATTERY BRACKET - N/C	1			NON CURRENT	
6-4	4161090	HYDRAULIC TANK, BATTERY	1	6-38	F330608	3/8 FLATWASHER SAE GR.8	2
		BOX MOUNT W/A - CURRENT				NON CURRENT	
	4160906	HYDRAULIC TANK MOUNT - N/C	1	6-39	KM00013	BATTERY BOX - CURRENT	1
6-5	4160909	BATTERY TRAY	1				
6-6	KD40047	GX340 - RM 2430, 2442	1				
		& 2448 - CURRENT					
	KD40043	HONDA GX270 - RM 2430	1				
		NON CURRENT	1				
6-7		PUMP ASSEMBLY (PG.4)	1				
6-8	4160895	FRAME-MAIN - RM 2430	1				
	4160834	FRAME-MAIN - RM 2442	1				
	4160927	FRAME-MAIN - RM 2448	1				
6-9	4160900	BRAKE ROCKER SHAFT	1				
		L.H. - 2430 & 2442 - N/C					
	4160936	BRAKE ROCKER SHAFT	1				
		L.H. - 2448 - NON CURRENT					
	4160901	BRAKE ROCKER SHAFT	1				
		R.H. - 2430 - NON CURRENT					
	4160879	BRAKE ROCKER SHAFT	1				
		R.H. - 2442 - NON CURRENT					
	4160937	BRAKE ROCKER SHAFT	1				
		R.H. - 2448 - NON CURRENT					
6-10	4160884	BRAKE LINK BLOCK - N/C	4				
6-11	KH63004	CLAMP PLATE	2				
6-12	KH65006	HYDRAULIC HOSE CLAMP	4				
6-13	23-137	FLOAT VALVE	1				
6-14	4160218	BRAKE LEVER - N/C	1				
6-15	4160885	CROSS LINK - NON CURRENT	1				
6-16	F020550	BOLT 5/16 UNC X 5 CARRIAGE - N/C	1				
6-17	F910310	COTTER PIN 3/32X1 - N/C	2				
6-18	F040404	BOLT 1/4 UNC X 1/2 GR.8	4				
6-19	F310408	1/4 LOCKWASHER	4				
6-20	F320408	1/4 FLATWASHER	10				
6-21	F040406	BOLT 1/4 UNC X 3/4 GR.8	2				
6-22	F040510	BOLT 5/16 UNC X 1 GR.8	2				
6-23	F310508	5/16 LOCKWASHER	12				
6-24	F320550	5/16 FLATWASHER	14				
6-25	F040534	BOLT 5/16 UNC X 3 1/2 GR.8	8				
		NON CURRENT					
6-26	F040524	BOLT 5/16 UNC X 2 1/2 GR.8	2				
6-27	F040526	BOLT 5/16 UNC X 2 3/4 GR.8	2				
6-28	F210408	LOCKNUT 1/4 UNC	6				
6-29	F210508	LOCKNUT 5/16-18 GR.8	13				
6-30	F040614	BOLT 3/8 UNC X 1 1/2 GR.8	2				
6-31	F040616	BOLT 3/8 UNC X 1 3/4 GR.8	4				
6-32	F310608	3/8 LOCKWASHER GR.8	4				

HYDRAULIC ASSEMBLY

ROLLMATE SOD LAYER

FIGURE 7



ROLLMATE SOD LAYER

HYDRAULIC ASSEMBLY

FIGURE 7

ITEM	PART NO.	DESCRIPTION	QTY	ITEM	PART NO.	DESCRIPTION	QTY
7-1	4161092	HYD. TANK - CURRENT	1	7-39	4160979	1/2 HOSE X 17IN. LG	1
	4160380	HYD. TANK - NON CURRENT	1	7-40	6-070118	3/8 BULKHEAD NUT	2
7-2	KH20177	CAP HYDRAULIC TANK	1	7-41	8-070118	1/2 BULKHEAD NUT	2
7-3	4160652	FILTER ELEMENT	1	7-42	KH40035	FILTER GAGE	1
7-4	KH10002	LEVEL GAUGE	1	7-43	KH90003	FITTING. 90 DEG. SPECIAL	1
7-5	KH00017	PLUG	1				
7-6	23-070	HYDRAULIC CYLINDER	2				
7-7	KH30078	WHEEL MOTOR - L.H.	1				
		CURRENT					
	KH30047	WHEEL MOTOR - L.H. - N/C	1				
	KH30078	WHEEL MOTOR - R.H.	1				
		CURRENT					
	KH30046	WHEEL MOTOR - R.H. - N/C	1				
7-8	4160968	HOSE ASSEMBLY	1				
7-9	4160969	HOSE ASSEMBLY	1				
7-10	4160970	HOSE ASSEMBLY	1				
7-11	4160971	HOSE ASSEMBLY	1				
7-12	4160972	HOSE ASSEMBLY	1				
7-13	4160973	HOSE ASSEMBLY	2				
7-14	4160974	HOSE ASSEMBLY RM 2430	4				
	4160988	HOSE ASSEMBLY RM 2442	4				
	4160992	HOSE ASSEMBLY RM 2448	4				
7-15	4161031	HOSE ASSEMBLY	1				
7-16	4160132	HOSE ASSEMBLY	1				
7-17	4160977	HOSE ASSEMBLY RM 2439	2				
	4160989	HOSE ASSEMBLY RM 2442	2				
	4160993	HOSE ASSEMBLY RM 2448	2				
7-18	4160978	HOSE ASSEMBLY RM 2430	2				
	4160990	HOSE ASSEMBLY RM 2442	2				
	4160994	HOSE ASSEMBLY RM 2448	2				
7-19	6-6-070120	FITTING. STRAIGHT	6				
7-20	8-12-070220	FITTING. 90 DEG. SWIVEL	3				
7-21	KH90003	FITTING. RELIEF VALVE	1				
7-22	6-6-6-070428	FITTING. TEE	1				
7-23	6-4-070320	FITTING. 45 DEG.	2				
7-24	6-6-070220	FITTING. 90 DEG.	2				
7-25	6-8-070220	FITTING. 90 DEG.	1				
7-26	8-6-070220	FITTING. 90 DEG.	1				
7-27	8-8-070320	FITTING. 45 DEG.	2				
7-28	8-10-070120	FITTING. ADAPTER	1				
7-29	8-10-070320	FITTING. 45 DEG.	4				
7-30	6-6-6-070958	FITTING. TEE	2				
7-31	8-8-8-070958	FITTING. TEE	2				
7-32	23-137	FLOAT VALVE	1				
7-33	KH30045	PUMP	1				
7-34	KH40075	FILTER HEAD	1				
7-35	KH40076	FILTER ELEMENT	1				
7-36	KH01114	SWIVEL BARB HOSE END	2				
7-37	KH20022	RELIEF VALVE CARTRIDGE	1				
7-38	KH20140	RELIEF VALVE BODY	1				

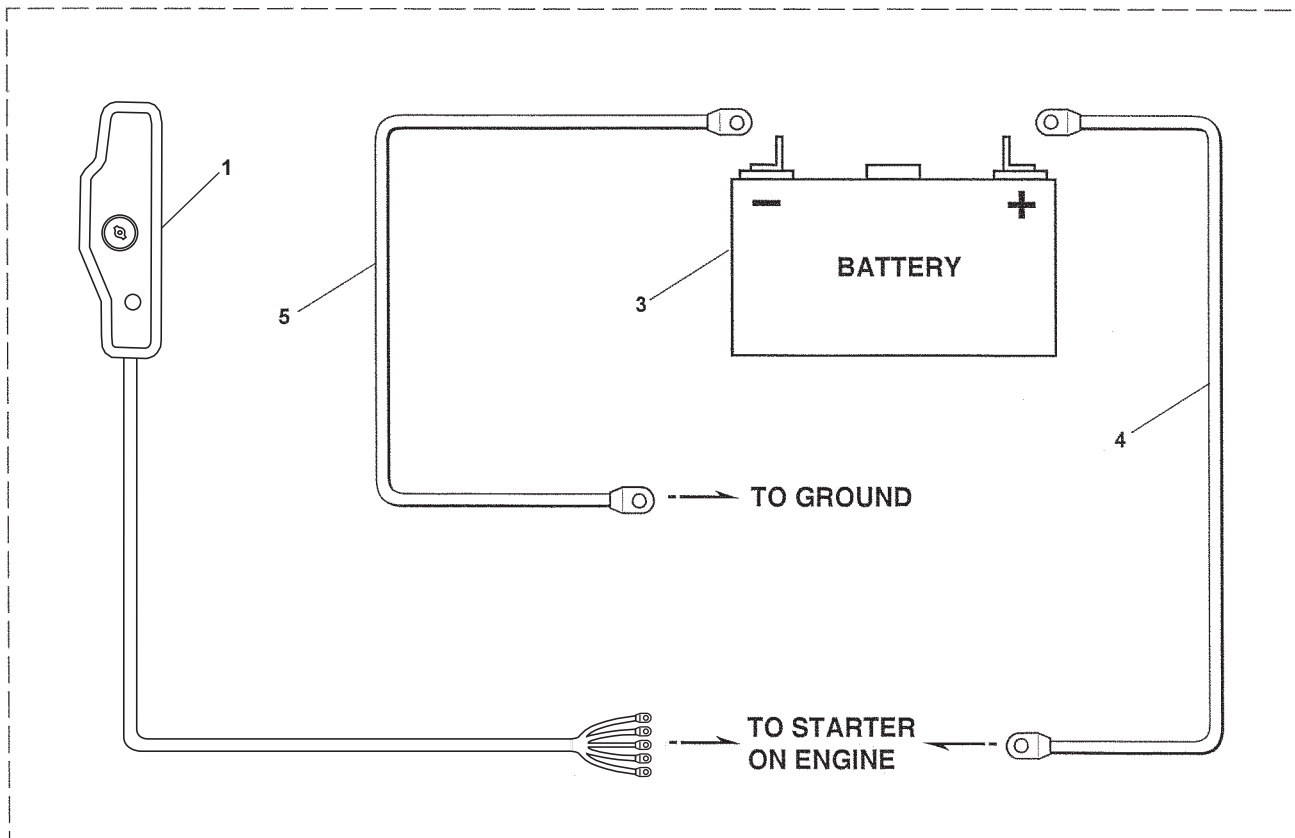
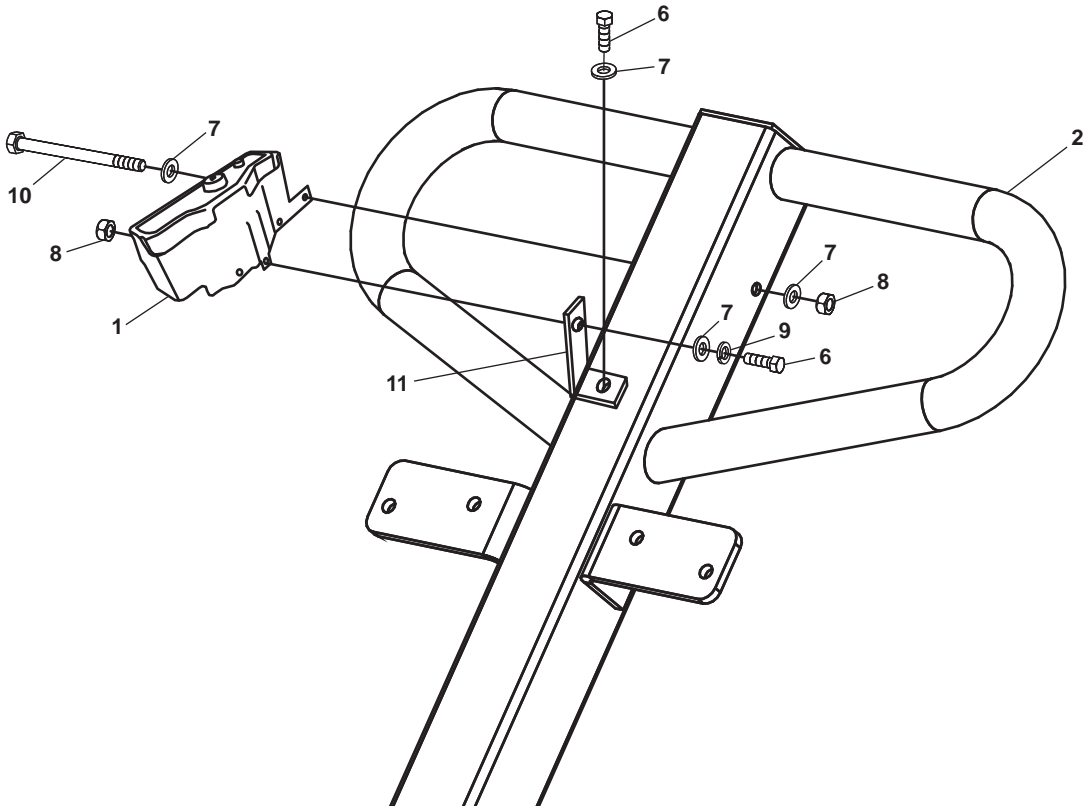
ROLLMATE SOD LAYER

DECALS

FIGURE 8

ITEM	PART NO.	DESCRIPTION	QTY	ITEM	PART NO.	DESCRIPTION	QTY
8-1	D001-106	DECAL-EXPLOSIVE	1				
8-2	D001-073	DECAL-TIPPING	1				
8-3	00-270	DECAL, PARK BRAKE	1				
8-4	00-246	DECAL-NOT A STEP	2				
8-5	00-272	DECAL-CTN DO NOT TOW	1				
8-6	D001-207	DECAL-F/N/R LEVER	1				
8-7	D001-241	DECAL-HYD CNTRL LEVER	1				
8-8	202525	DECAL-CTN READ MANUAL	1				
8-9	D001-161	DECAL-BROUWER LOGO	1				
8-10	D001-160	DECAL-BROUWER LOGO	2				
8-11	D001-012	DECAL-HIGH PRESSURE	1				
8-12	D001-029	DECAL-DO NOT REPAIR	1				
8-13	D001-032	DECAL, KEEP AWAY	2				
8-14	D001-069	DECAL-DO NOT OVERFILL	1				
8-15	D001-147	DECAL-SAFE OPERATION	1				
8-16	D001-068	DECAL-USE SAE OIL	1				

FIGURE 9



ROLLMATE SOD LAYER

ELECTRICAL SYSTEM

FIGURE 9

ITEM	PART NO.	DESCRIPTION	QTY	ITEM	PART NO.	DESCRIPTION	QTY
9-1		ENGINE CONTROL PANEL	1				
9-2	4160894	HANDLE WELD ASSY	1				
9-3	KE10218	BATTERY	1				
9-4	4160819	BATTERY CABLE 32.3 IN.	1				
9-5	4160820	BATTERY CABLE 20.3 IN.	1				
9-6	F040406	BOLT 1/4 UNC X 3/4 GR.8	2				
9-7	F320408	1/4 FLATWASHER	4				
9-8	F210408	LOCKNUT 1/4 UNC	2				
9-9	F310408	1/4 LOCKWASHER	1				
9-10	F040432	BOLT 1/4 UNC x 3 1/4 GR.8	1				
9-11	4160942	BRACKET	1				



Kesmac Inc.

23324 Woodbine Avenue, Keswick Ontario Canada L4P 0N1

Tel (905) 476-6222 Fax (905) 476-6744

Web Site www.brouwerkesmac.com Email info@kesmac.com